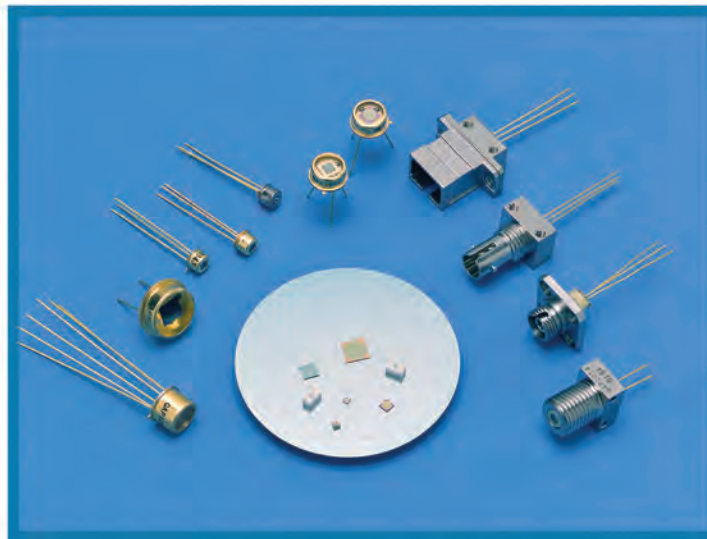


GAP60 GAP60CS GAP75
GAP100 GAP300

High Speed InGaAs Photodiodes



- **High Responsivity**
- **Low Dark Current**
- **Low Capacitance: High Speed**
- **Planar Design for High Reliability**

GPD Optoelectronics Corp.

7 Manor Parkway
Salem, NH 03079 U.S.A.
Tel/Fax: (603)894-6865/6866
<http://www.gpd-ir.com>



Electrical Characteristics @ 25 °C

	GAP60/CS	GAP75	GAP100	GAP300	
Active Diameter	60	75	100	300	μm
Responsivity @ 850nm	0.10 (0.20)	0.10 (0.20)	0.10 (0.20)	0.10 (0.20)	A/W min. (typ.)
1300nm	0.80 (0.90)	0.80 (0.90)	0.80 (0.90)	0.80 (0.90)	A/W min. (typ.)
1550nm	0.95	0.95	0.95	0.95	A/W min.
Dark Current @ 5V	0.8 (0.3)	0.8 (0.3)	1.0 (0.5)	5.0 (1.0)	nA max. (typ.)
Capacitance @ 5V	0.7(0.5)/0.5(0.3)-CS	0.8 (0.6)	1.2 (1.0)	8.0 (4.0)	pF max. (typ.)
Bandwidth 50 Ω -3dB	6/10-CS	10	3	0.8	GHz min. @ 5V
Rise/Fall time R _L = 50Ω	0.06/0.03-CS	0.07	0.1	0.4	ns max. @ 5V
NEP @ 1550 nm	10.0E-15	10E-15	13E-15	18E-15	W/√Hz typ.
Case Style (standard)	TO-46(mod)/CS-1	TO-46(mod)	TO-46(mod)	TO-46(mod)	

Maximum Ratings

	GAP60/CS	GAP75	GAP100	GAP300	
Storage Temperature	-40 to 125	-40 to 125	-40 to 125	-40 to 125	°C
Operating Temperature	-40 to 85	-40 to 85	-40 to 85	-40 to 85	°C
Reverse Voltage	25	25	25	25	V
Reverse Current	1	10	10	25	mA
Forward Current	10	10	10	100	mA

GPD Optoelectronics Corp.

7 Manor Parkway

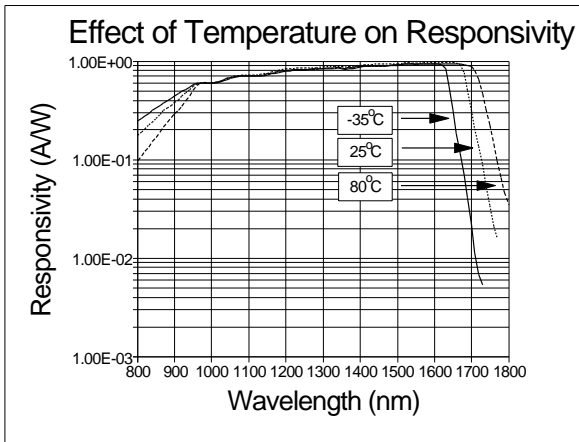
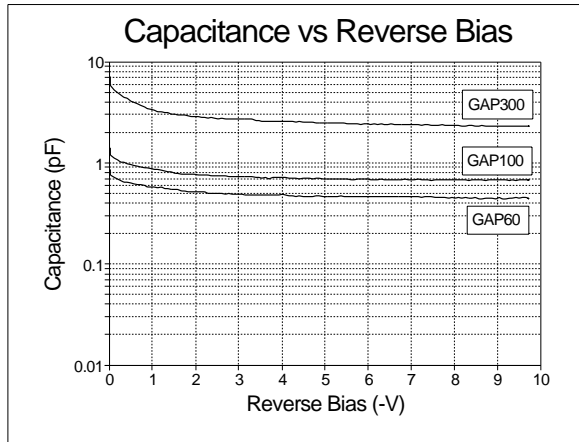
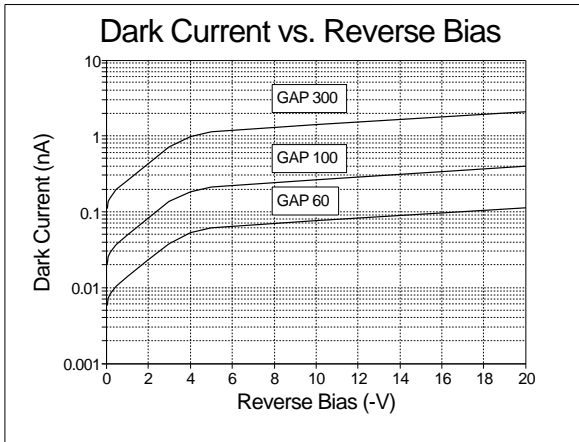
Salem, NH 03079 U.S.A.

Tel/Fax: (603)894-6865/6866

<http://www.gpd-ir.com>

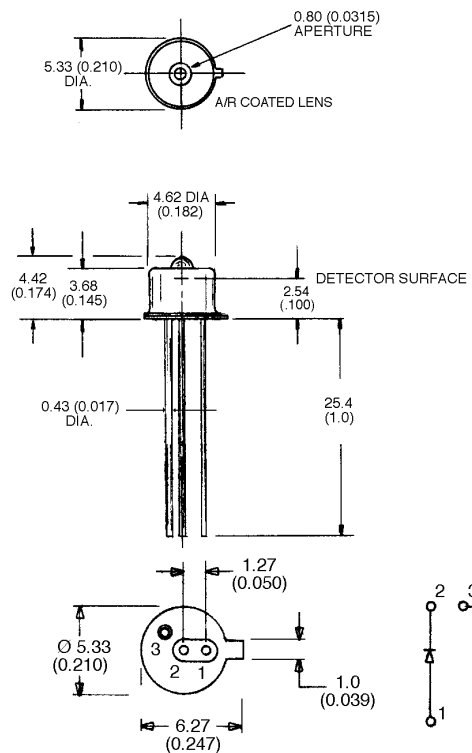


GAP60 GAP60CS GAP75 GAP100 GAP300



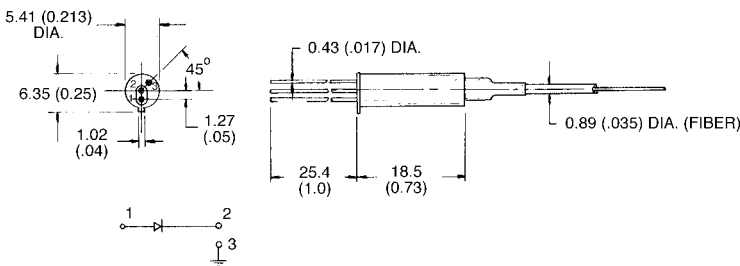
Package Outlines

TO-46 (Modified)



Package Outlines

"PT" Assembly



Dimensions in mm (in.) Custom packages are available

GPD Optoelectronics Corp.

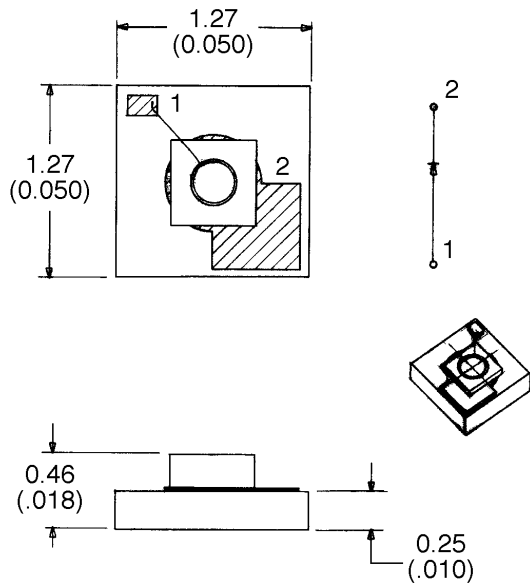
7 Manor Parkway
Salem, NH 03079 U.S.A.
Tel/Fax: (603)894-6865/6866
<http://www.gpd-ir.com>



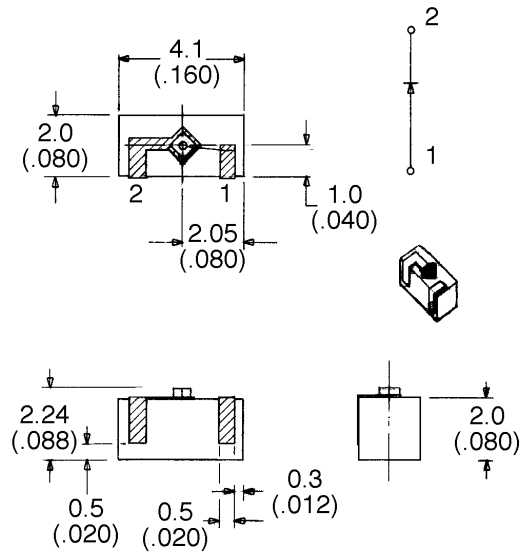
Ceramic Submounts

Dimensions in mm (in.) Custom submounts are available.

CS-1



CS-2



GPD Optoelectronics Corp.

7 Manor Parkway
Salem, NH 03079 U.S.A.
Tel/Fax: (603)894-6865/6866
<http://www.gpd-ir.com>