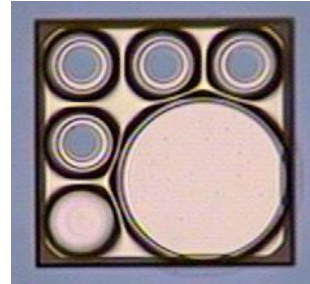


Features

- : 945 nm wavelength range
- : 20 mW multi mode VCSEL
- : Other configurations available on request

Description



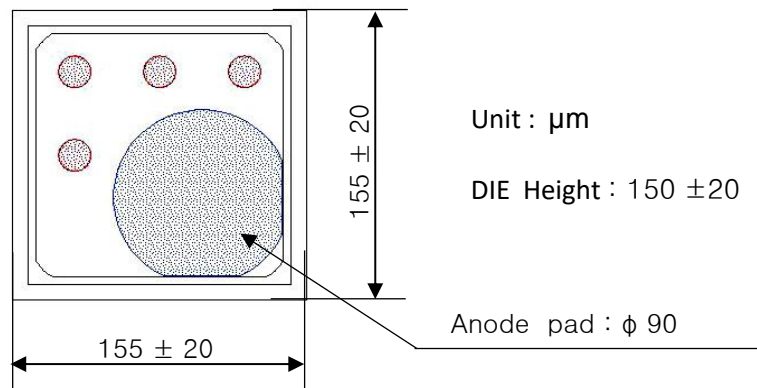
Applications

- : Consumer electronics
- : Safety sensor

Absolute Maximum Ratings

Parameter	Rating
Storage Temperature	-40 to 85 °C
Operating Temperature	-10 to 70 °C
Continuous Forward Current	40 mA
Continuous Reverse Voltage	5 V(@10μA)

Dimensions

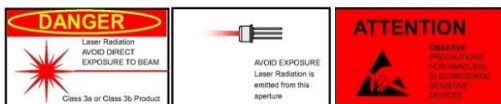


Electro-Optics Characteristics ($T_a=25^\circ\text{C}$ unless otherwise stated.)

Parameters	Symbol	Specified			Unit	Test Conditions
		Min.	Typ.	Max.		
Threshold Current	I_{th}		10		mA	CW
Slop Efficiency	η	0.5	0.7		W/A	$I_f = 30\text{ mA}$
Optical Output Power	P_o		20		mW	$I_f = 30\text{ mA}$
Peak Wavelength	λ_p		945		nm	$I_f = 30\text{ mA}$
Beam Divergence	Θ		24		°	$I_f = 30\text{ mA}$ ($1/e^2$)
Operating Voltage	V_f		1.9		V	$I_f = 30\text{ mA}$
Series Resistance	R_s		20		Ω	CW
Breakdown Voltage	V_b		-10		V	

Notes

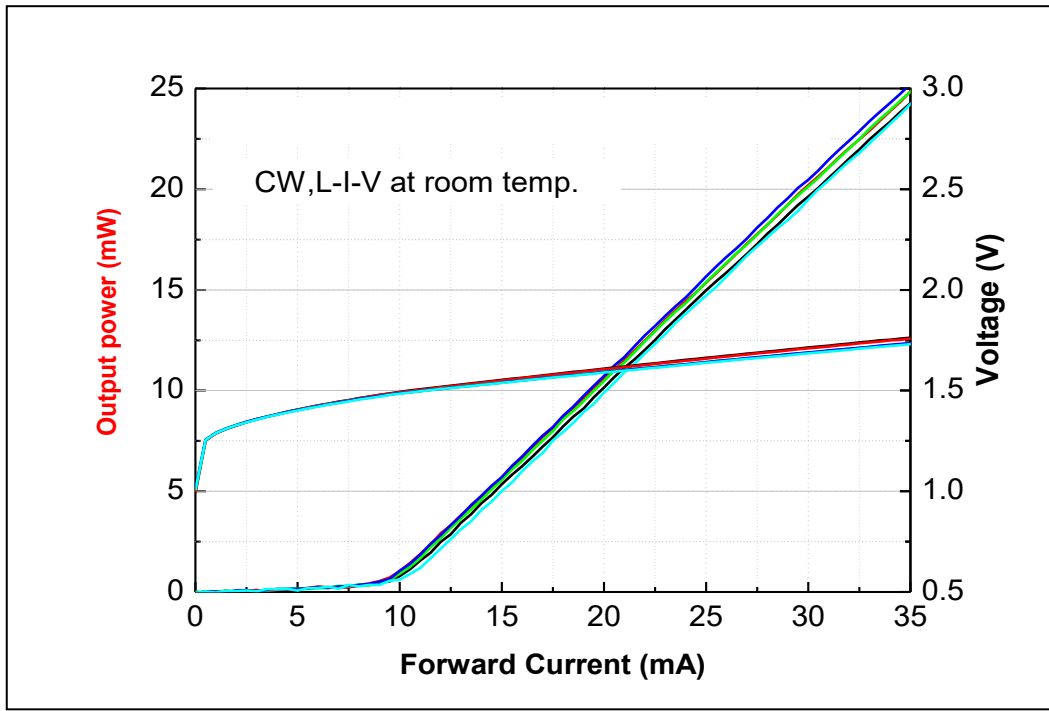
* These specifications are subject to change without notice.



NOTICE	The inherent design of this component causes it to be sensitive to electrostatic discharge(ESD). To prevent ESD-induced damage and/or degradation to equipment, take normal ESD precautions when handling this product
DANGER	The VCSEL is a class IIIb laser and should be treated as a potential eye hazard. Due to the size of the component, the applicable warning logotype, aperture label, and certification / identification label cannot be placed on the component itself.

DC data

L-I-V, CW



FFP (I_f = 30mA)

