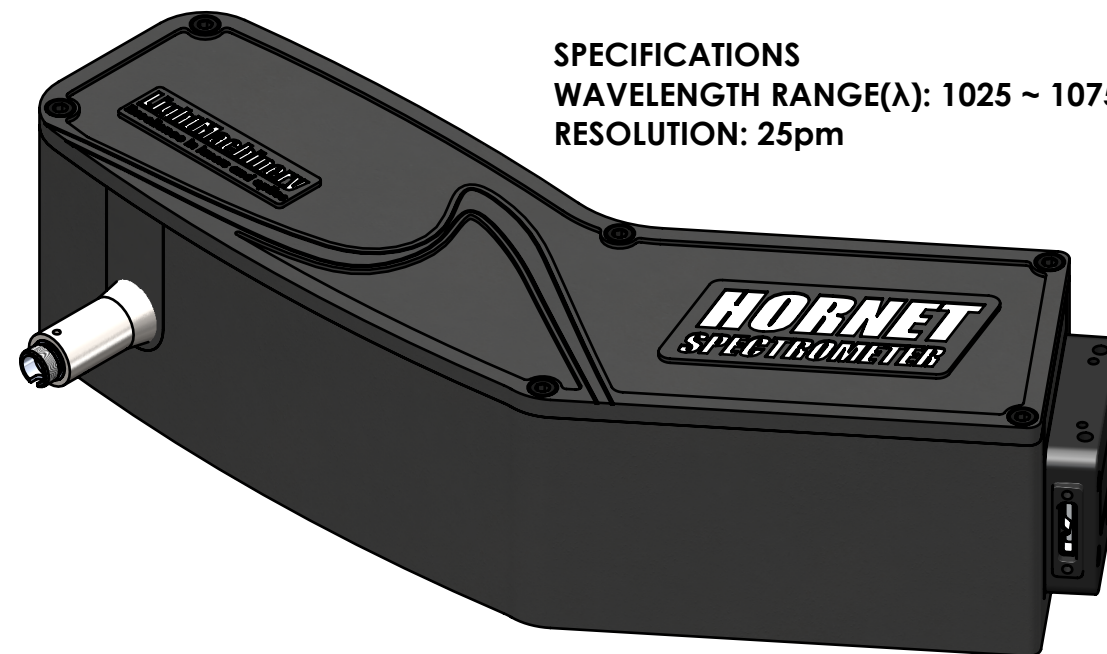
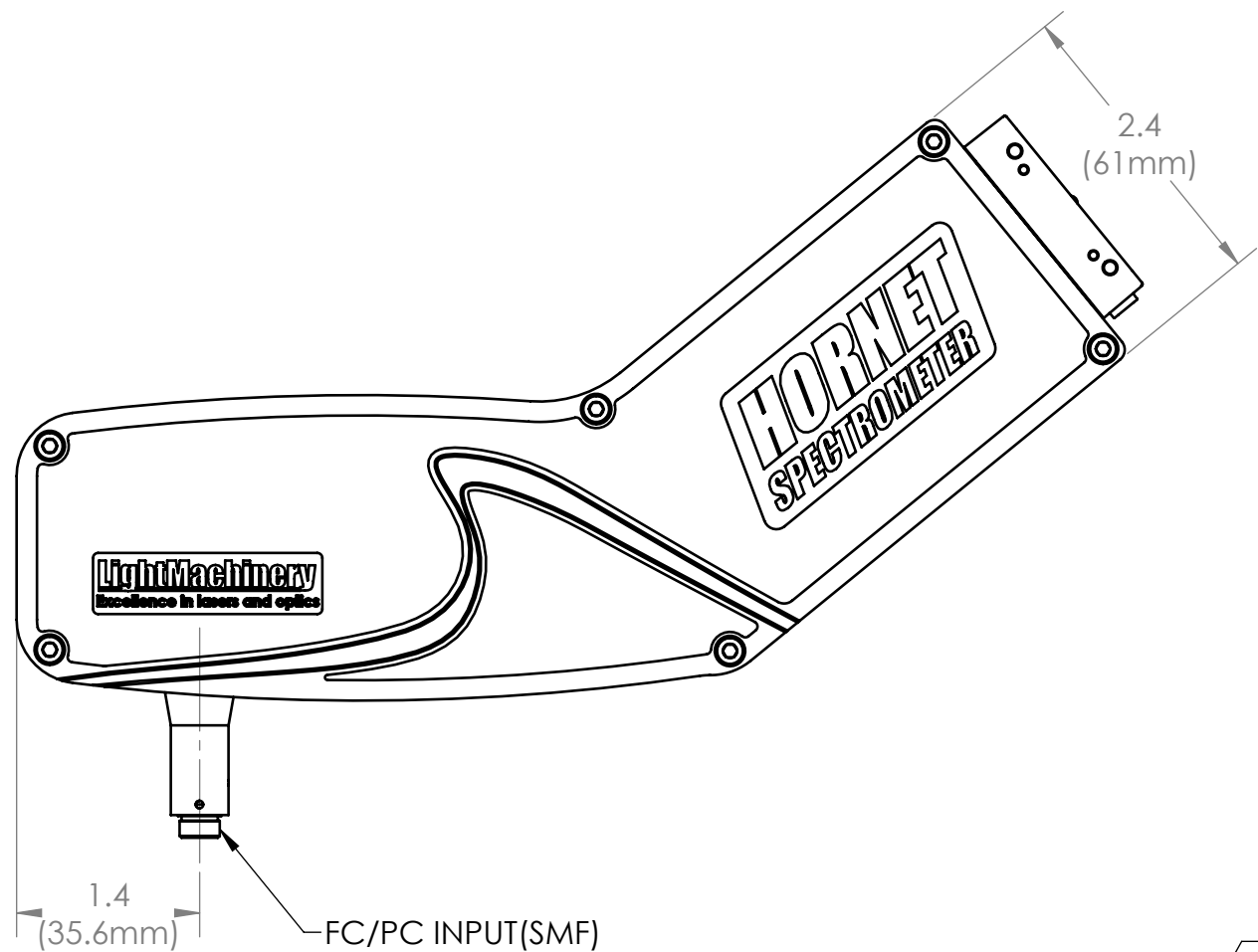
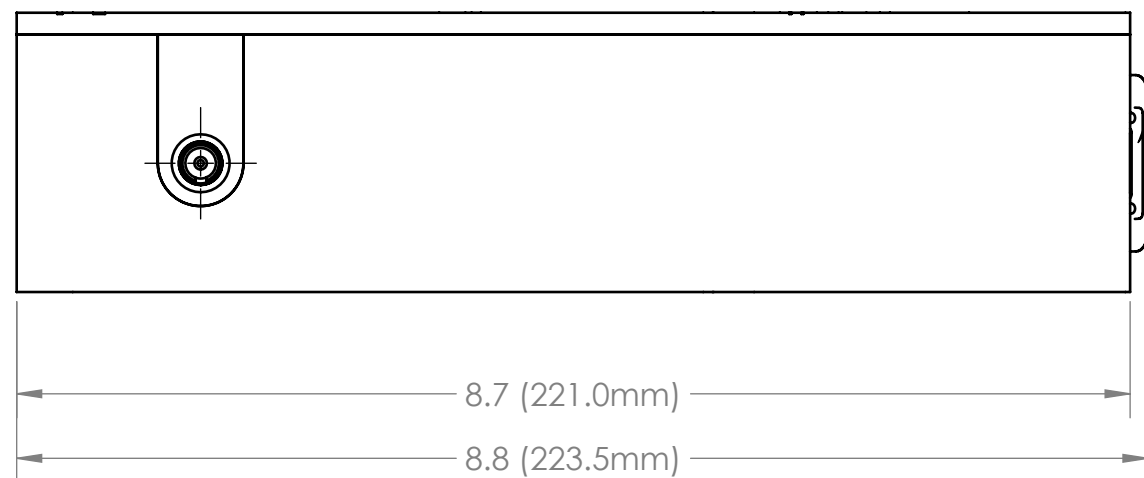


REVISION HISTORY			
REV	DESCRIPTION	DATE	APP'D
A	INITIAL RELEASE		

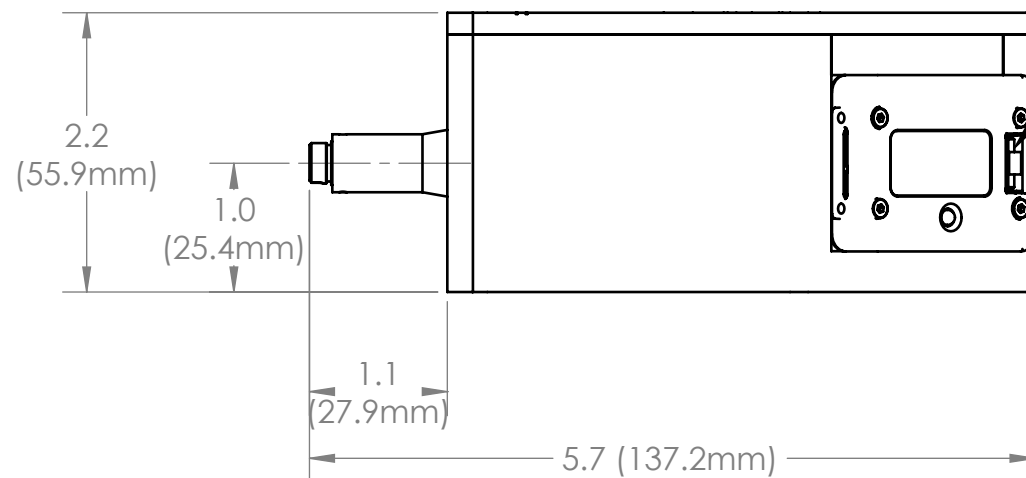


SPECIFICATIONS
WAVELENGTH RANGE(λ): 1025 ~ 1075nm
RESOLUTION: 25pm



USB CONNECTOR

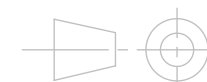
GPIO CONNECTOR



UNLESS OTHERWISE SPECIFIED
 DIMENSIONS ARE IN INCHES
 TOLERANCES ARE:
 DECIMALS .X ± .020
 .XX ± .010
 .XXX ± .005

ANGLES
 .X ± .5°
 .XX ± .01°

THIRD ANGLE PROJECTION



SOLIDWORKS GENERATED DRAWING
 DO NOT MANUALLY UPDATE

MATERIAL
 N/A

FINISH
 N/A

DO NOT SCALE DRAWING

APPROVALS

DATE

DRAWN
 BEN J. SHIM

01-May-2017

CHECKED
 A.NASIOROWSKI

MFG APPR.

LightMachinery
 Excellence in lasers and optics
 80 COLONNADE RD.
 NEPEAN, ONTARIO, K2E 7L2, CANADA

TITLE:
HORNET SPECTROMETER

SIZE DWG. NO.

B HF-9016

REV

A

SCALE: 2:3

SHEET 1 OF 1

PROPRIETARY AND CONFIDENTIAL
 THE INFORMATION CONTAINED IN THIS
 DRAWING IS THE SOLE PROPERTY OF
 LIGHTMACHINERY. ANY REPRODUCTION IN
 PART OR AS A WHOLE WITHOUT THE
 WRITTEN PERMISSION OF LIGHTMACHINERY
 IS PROHIBITED.